



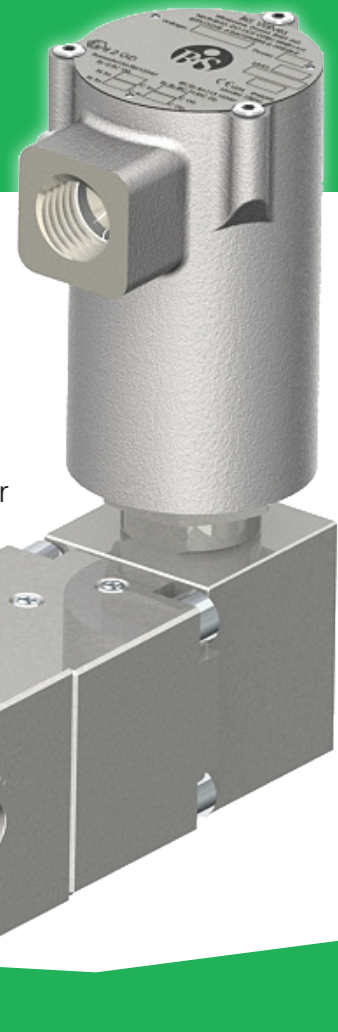
VALVES

Solenoid Valves

BiS offer a comprehensive range of stainless steel solenoid valves ranging from the smallest low pressure pneumatic 2 position 2 way valves to the largest 1" directional valves for use with high pressure liquids. With designs for topside and subsea, an extensive options list and our renowned ability to create bespoke designs, BiS can supply a solenoid valve for nearly every application.

Direct acting valves in which the valve element is moved directly by the solenoid thruster are an ideal choice for low pressure or low flow applications. The BiS range includes options for manual override, manual reset, many connector types and voltages, including Ex d and Ex emb hazardous area coils with power consumption as low as 3 watts.

Pilot operated solenoid valves can be used to control much higher flow rates and more complicated directional control valve configurations by utilising a direct acting valve as a pilot element to operate a much larger or higher pressure main stage directional valve.



Contacts

BiS VALVES LTD

Unit 17 - 23, Kingfisher Park, West Moors, Wimborne, Dorset, BH21 6US, UK

Tel No: +44 (0)1202 896322

Email: salesadmin@bisvalves.co.uk

Fax No: +44 (0)1202 896718

Web: www.bisvalves.co.uk

Global Distributors

See www.bisvalves.co.uk for contact details



VALVES

	Nominal Size	Max Pressure	Media	Valve Type
Direct Acting Solenoid Valves	1/4" & 3/8"	16 bar (232 psi)	Liquids & Gases	2/2AS25
	1/4" & 3/8"	16 bar (232 psi)	Liquids & Gases	2/3AS25
	1/4" & 3/8"	16 bar (232 psi)	Liquids & Gases	2/5AS25
	1/2"	16 bar (232 psi)	Liquids & Gases	2/2AS50
	1/2"	16 bar (232 psi)	Liquids & Gases	2/3AS50
	1/4"	690 bar (10,000 psi)	Liquids	2/3DS01
	1/4"	414 bar (6,000 psi)*	Liquids & Gases	2/3DS25
	3/8"	690 bar (10,000 psi)	Liquids	2/3DS20/25
	3/8"	414 bar (6,000 psi)*	Liquids & Gases	2/3DS37
Internally Pilot Operated	1/4" & 3/8"	690 bar (10,000 psi)	Liquids	2/3PS25
	1/2"	690 bar (10,000 psi)	Liquids	2/3PS50
	1"	690 bar (10,000 psi)	Liquids	2/3PS100
Externally Pilot Operated	1/4" & 3/8"	690 bar (10,000 psi)*	Liquids & Gases	2/3EPS25
	1/4" & 3/8"	690 bar (10,000 psi)	Liquids	2/3EPSC25
	1/2"	690 bar (10,000 psi)*	Liquids & Gases	2/3EPS50
	1/2"	690 bar (10,000 psi)	Liquids	2/3EPSC50
	1"	690 bar (10,000 psi)*	Liquids & Gases	2/3EPS100
	1"	690 bar (10,000 psi)	Liquids	2/3EPSC100

Solenoid Valves

Low Pressure Valves

- ☑ 2 way, 3 way and 5 way configurations
- ☑ Industry leading specification including high force coil with low power consumption
- ☑ 360° coil rotation
- ☑ Automatic, manual override, and manual reset options
- ☑ Ex d and Ex emb hazardous area options with ATEX and IECEx certification
- ☑ Wide variety of connectors and voltage options
- ☑ Interface valve to drive high pressure valves from a low pressure source
- ☑ SIL3 Capability for safety critical applications



High Pressure Valves

- ☑ 2 position, 3 way and 4 way configurations
- ☑ Open transition and block-before-bleed main stage options
- ☑ Topside and subsea designs
- ☑ Pilot valves fitted with high capacity filtration to 40 microns as standard for industry leading contamination resistance
- ☑ SIL3, hazardous area, manual reset and alternative mounting options available

